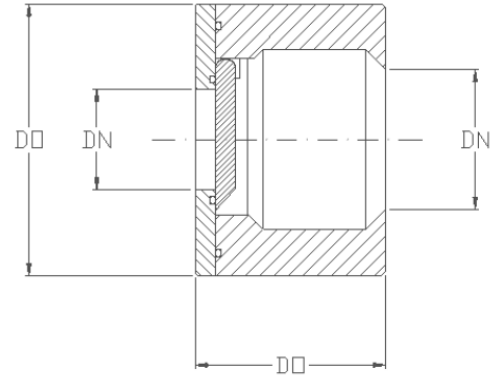
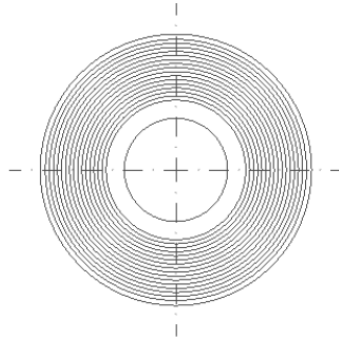


FULL BORE SWING TYPE



SPECIAL CHARACTERISTICS

- Full Bore
- Lightweight
- Compact
- Economical
- Low Maintenance
- Easily Installed
- Tight shut-off (resilient seat)
- One Moving Part
- One Piece disc and shaft for maximum strength
- Retained Disc



Model #	719	729	749	759	769	779	789
Body (See Table A)	Bronze	Carbon Steel	316 S.S.	Monel	Titanium	Hastelloy	D.S.S
Seat Carrier	Bronze	316 S.S.	316 S.S.	Monel	Titanium	Hastelloy	D.S.S
Disc	Bronze	316 S.S.	316 S.S.	Monel	Titanium	Hastelloy	D.S.S
Seat:	Max. Temp See Table A	Max. Temp See Table A	Max. Temp See Table A	Max. Temp See Table A	Max. Temp See Table A	Max. Temp See Table A	Max. Temp See Table A
(Metal) Suffix 'M'	204°C	204°C	204°C	204°C	204°C	204°C	204°C
(Viton) Suffix 'V'	250°C	250°C	250°C	250°C	250°C	250°C	250°C
(P.T.F.E) Suffix 'P'	120°C	120°C	120°C	120°C	120°C	120°C	120°C
(Neoprene) Suffix 'N'	120°C	120°C	120°C	120°C	120°C	120°C	120°C
Buna-N Suffix 'B'	120°C	120°C	120°C	120°C	120°C	120°C	120°C
EPDM Suffix 'E'	120°C	120°C	120°C	120°C	120°C	120°C	120°C
Peek Suffix 'K'	250°C	250°C	250°C	250°C	250°C	250°C	250°C
Table A - Metal				Max. Temp			
Bronze C95800				260°C			
Carbon Steel				425°C			
Stainless Steel				538°C			
Monel				475°C			
Titanium Gr2				316°C			
Hastelloy C276				675°C			
Duplex Stainless Steel (F51)				315°C			

PRINCIPLE DIMENSIONS

Nominal Size 'DN' (mm)	15	20	25	40	50	65	80	100
Length 'L' (mm)	37	44	51	68	78	93	108	130
Outside Diameter 'OD' (mm)	Please see OD chart on page 2							
Weight (Kg)	0.5	0.7	1.0	1.8	2.5	4.0	6.0	8.0

Working Pressure up to 100 BarG
Lugged style on request

Higher Pressure on request
Larger sizes on request

Abacus Valves International Ltd
Block 4, Riverside Road,
Paddockholm Ind. Est.,
Kilbirnie. KA25 7EW
t: +44(0)1505 681777
www.abacusvalves.com
sales@abacusvalves.com

Notes:

- Wafer pattern design offers significant space and weight reduction compared with traditional flanged valve design.
- Superior by design
- 24 hour quotation turn around
- Comprehensive stocks
- Worldwide distribution
- Technical assistance and advice always available



OUTSIDE DIAMETERS FOR WAFER CHECK VALVES

Size (mm)	Size (in)	PN6	PN10	PN16	PN25	PN40	Table 'D'	Table 'E'	ANSI 150	ANSI 300	ANSI 600	ANSI 900	ANSI 1500	ANSI 2500
15	0.5	45	53	53	53	53	54	54	48	54	54	63	63	70
20	0.75	55	63	63	63	63	60	60	57	67	67	70	70	76
25	1.0	65	73	73	73	73	70	70	67	73	73	79	79	85
40	1.5	88	94	94	94	94	86	86	86	95	95	98	98	117
50	2.0	98	109	109	109	109	99	99	105	111	111	143	143	146
65	2.5	118	129	129	129	129	111	111	124	130	130	165	165	168
80	3.0	134	144	144	144	144	130	130	137	149	149	168	174	197
100	4.0	154	164	164	170	170	162	162	175	181	193	206	209	235
125	5.0	184	194	194	196	196	194	194	197	216	241	247	254	279
150	6.0	209	220	200	226	226	219	214	222	251	266	289	282	317
200	8.0	264	275	275	286	293	276	273	279	308	320	359	352	387
250	10.0	319	330	331	343	355	336	336	339	352	400	435	435	476
300	12.0	375	380	386	403	420	387	384	409	422	457	498	520	549
350	14.0	425	440	446	460	477	448	448	451	486	492	521	578	-
400	16.0	475	491	498	517	549	499	499	514	540	565	575	641	-
450	18.0	-	541	558	567	574	562	562	549	597	613	638	705	-
500	20.0	580	596	620	627	631	619	619	606	654	683	699	758	-
600	24.0	681	698	737	734	747	730	730	718	775	791	838	902	-

Please note:

- The check valves above are not suitable for heavily pulsating flow such as can be experienced to reciprocating pumps or compressors
- If the wafer check valve you require is not shown or if you have a special design requirement, please contact us on +44 (0) 1505 681777 or sales@abacusvalves.com

Abacus Valves International Ltd
 Block 4, Riverside Road,
 Paddockholm Ind. Est.,
 Kilbirnie. KA25 7EW
 t: +44(0)1505 681777
www.abacusvalves.com
sales@abacusvalves.com

Notes:

- **Wafer pattern design offers significant space and weight reduction compared with traditional flanged valve design.**
- **Superior by design**
- **24 hour quotation turn around**
- **Comprehensive stocks**
- **Worldwide distribution**
- **Technical assistance and advice always available**