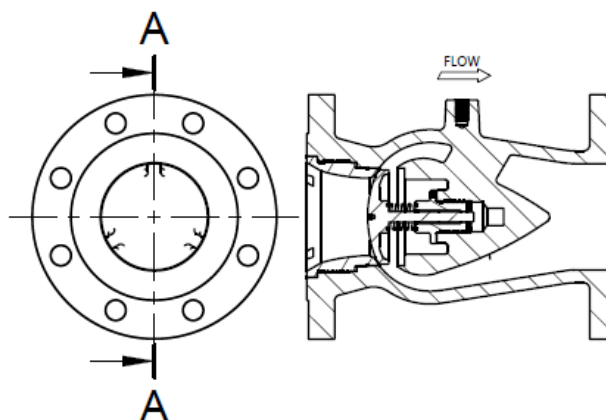




3X7 NOZZLE CHECK VALVE

SPECIAL CHARACTERISTICS

- Quick dynamic, non slam
- Minimum pressure drop
- Tight Shut-off
- API 6D Compliant
- API 598 Compliant
- ASME B16.34 Pressure/temp. ratings
- Suitable for all common flanges



Model #	317	327	337	347	387
Body	UNS C95800	WCB Steel	LCC Steel	CF8M SS	Gr 4A Duplex SS
Disc	UNS C95800	CF8M SS	CF8M SS	CF8M SS	Gr 4A Duplex SS
Spring	Inconel X-750	Inconel X-750	Inconel X-750	Inconel X-750	Inconel X-750
Trim	Alloy 400	316 S.S	316 S.S	316 S.S	F51 Duplex S.S

PRINCIPLE DIMENSIONS

Nominal Size 'DN' (mm)	50	80	100	150	200	250	300	350	400	450	500	600
CL 150 RF Face to Face 'L' (mm)	203	241	292	356	495	622	699	787	864	978	978	1295
Approx. Mass (kg)	10	30	50	75	190	240	285	430	490	820	1450	1150
CL 300 RF Face to Face 'L' (mm)	267	318	356	445	533	622	711	838	864	978	1016	1346
Approx. Mass (kg)	15	35	55	92	205	280	330	540	650	820	1180	1500
CL 600 RF Face to Face 'L' (mm)	292	356	432	559	660	787	838	889	991	1092	1194	1397
Approx. Mass (kg)	20	40	75	190	250	400	515	650	960	1550	1500	2400

Alternative ends on request (e.g. RTJ , Hub)

Larger sizes, pressures and specials on request

Alternative materials and configurations on request

Abacus Valves International Ltd
 Block 4, Riverside Road,
 Paddockholm Ind. Est.,
 Kilbirnie. KA25 7EW
 t: +44(0)1505 681777
www.abacusvalves.com
sales@abacusvalves.com

Notes:

- **Wafer pattern design offers significant space and weight reduction compared with traditional flanged valve design.**
- **Superior by design**
- **24 hour quotation turn around**
- **Comprehensive stocks**
- **Worldwide distribution**
- **Technical assistance and advice always available**



OUTSIDE DIAMETERS FOR WAFER CHECK VALVES

Size (mm)	Size (in)	PN6	PN10	PN16	PN25	PN40	Table 'D'	Table 'E'	ANSI 150	ANSI 300	ANSI 600	ANSI 900	ANSI 1500	ANSI 2500
15	0.5	45	53	53	53	53	54	54	48	54	54	63	63	70
20	0.75	55	63	63	63	63	60	60	57	67	67	70	70	76
25	1.0	65	73	73	73	73	70	70	67	73	73	79	79	85
40	1.5	88	94	94	94	94	86	86	86	95	95	98	98	117
50	2.0	98	109	109	109	109	99	99	105	111	111	143	143	146
65	2.5	118	129	129	129	129	111	111	124	130	130	165	165	168
80	3.0	134	144	144	144	144	130	130	137	149	149	168	174	197
100	4.0	154	164	164	170	170	162	162	175	181	193	206	209	235
125	5.0	184	194	194	196	196	194	194	197	216	241	247	254	279
150	6.0	209	220	200	226	226	219	214	222	251	266	289	282	317
200	8.0	264	275	275	286	293	276	273	279	308	320	359	352	387
250	10.0	319	330	331	343	355	336	336	339	352	400	435	435	476
300	12.0	375	380	386	403	420	387	384	409	422	457	498	520	549
350	14.0	425	440	446	460	477	448	448	451	486	492	521	578	-
400	16.0	475	491	498	517	549	499	499	514	540	565	575	641	-
450	18.0	-	541	558	567	574	562	562	549	597	613	638	705	-
500	20.0	580	596	620	627	631	619	619	606	654	683	699	758	-
600	24.0	681	698	737	734	747	730	730	718	775	791	838	902	-

Please note:

- The check valves above are not suitable for heavily pulsating flow such as can be experienced to reciprocating pumps or compressors
- If the wafer check valve you require is not shown or if you have a special design requirement, please contact us on +44 (0) 1505 681777 or sales@abacusvalves.com

Abacus Valves International Ltd
 Block 4, Riverside Road,
 Paddockholm Ind. Est.,
 Kilbirnie. KA25 7EW
 t: +44(0)1505 681777
www.abacusvalves.com
sales@abacusvalves.com

Notes:

- **Wafer pattern design offers significant space and weight reduction compared with traditional flanged valve design.**
- **Superior by design**
- **24 hour quotation turn around**
- **Comprehensive stocks**
- **Worldwide distribution**
- **Technical assistance and advice always available**