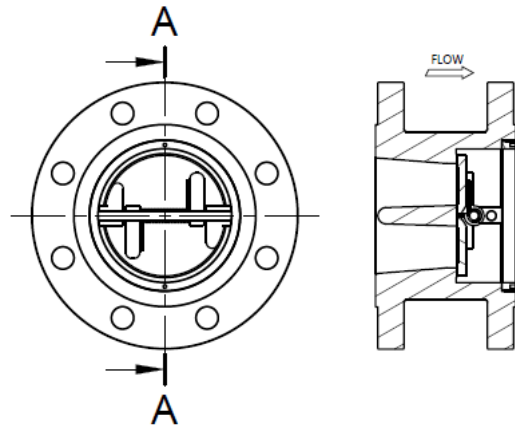


# RETAINERLESS LONG PATTERN TWIN PLATE



## SPECIAL CHARACTERISTICS

- Lightweight
- Compact
- Economical
- No Leak Path to the Atmosphere
- Easily Installed
- Tight Shut-off (Resilient Seat)
- Anti-Slam
- Complies with API 594 except face to face
- Suitable for ASME B16:34 flanges



Model #	414	424	434	444	454	464	474	484
Body (See Table A)	C95800	WCB	LCC	CF8M	M35-1	Titanium	CW12MW	Duplex 4A
Plates	C95800	CF8M	CF8M	CF8M	M35-1	Titanium	CW12MW	Duplex 4A
Pin Carriers	Alloy 400	316 S.S.	316 S.S.	316 S.S.	Alloy 400	Titanium	C-276	F51
Pins	Alloy 400	316 S.S.	316 S.S.	316 S.S.	Alloy 400	Titanium	C-276	F51
<b>Seat:</b>	<b>Max. Temp</b>	<b>Max. Temp</b>	<b>Max. Temp</b>	<b>Max. Temp</b>	<b>Max. Temp</b>	<b>Max. Temp</b>	<b>Max. Temp</b>	<b>Max. Temp</b>
(Metal) Suffix 'M'	See Table A	See Table A	See Table A	See Table A	See Table A	See Table A	See Table A	See Table A
(Viton) Suffix 'V'	204°C	204°C	204°C	204°C	204°C	204°C	204°C	204°C
(P.T.F.E) Suffix 'P'	250°C	250°C	250°C	250°C	250°C	250°C	250°C	250°C
(Neoprene) Suffix 'N'	120°C	120°C	120°C	120°C	120°C	120°C	120°C	120°C
Buna-N Suffix 'B'	120°C	120°C	120°C	120°C	120°C	120°C	120°C	120°C
EPDM Suffix 'E'	120°C	120°C	120°C	120°C	120°C	120°C	120°C	120°C
Peek Suffix 'K'	250°C	250°C	250°C	250°C	250°C	250°C	250°C	250°C
<b>Spring:</b>	Inconel 625 Inconel-X Titanium Hastelloy P.F.A Coated	Suffix 'I' Suffix 'X' Suffix 'T' Suffix 'H' Suffix 'C'	<b>Table A - Metal</b> Bronze C95800 Carbon Steel Stainless Steel Monel Titanium Gr2 Hastelloy C276 Duplex Stainless Steel (F51)			<b>Max. Temp</b> 260°C 425°C 538°C 475°C 316°C 675°C 315°C		
Bearings	316 S.S.							

PRINCIPLE DIMENSIONS	CLASS 150				CLASS 300			
	50	80	100	150	50	80	100	150
Nominal Size 'DN' (mm)	50	80	100	150	50	80	100	150
Face to Face	114	121	121	130	114	121	121	130
Outside Diameter 'OD' (mm)	152	191	229	279	165	210	254	318
No. Of Holes 'N'	4	4	8	8	8	8	8	12
PCD (mm)	121	152	191	241	127	168	200	270
Hole Diameter 'ØH' (mm)	19	19	19	22	19	22	22	22
Approx. Mass (kg)	7	13	19	29	8	15	25	41

ASME B16:34 P/T Ratings

Longer Face to Face options available

Larger sizes and specials on request

Higher pressures on request

Alternative Flange options available

Alternative material configurations available

Abacus Valves International Ltd  
Block 4, Riverside Road,  
Paddockholm Ind. Est.,  
Kilbirnie. KA25 7EW  
t: +44(0)1505 681777  
[www.abacusvalves.com](http://www.abacusvalves.com)  
[sales@abacusvalves.com](mailto:sales@abacusvalves.com)

**Notes:**

- Wafer pattern design offers significant space and weight reduction compared with traditional flanged valve design.
- Superior by design
- 24 hour quotation turn around
- Comprehensive stocks
- Worldwide distribution
- Technical assistance and advice always available



## OUTSIDE DIAMETERS FOR WAFER CHECK VALVES

Size (mm)	Size (in)	PN6	PN10	PN16	PN25	PN40	Table 'D'	Table 'E'	ANSI 150	ANSI 300	ANSI 600	ANSI 900	ANSI 1500	ANSI 2500
15	0.5	45	53	53	53	53	54	54	48	54	54	63	63	70
20	0.75	55	63	63	63	63	60	60	57	67	67	70	70	76
25	1.0	65	73	73	73	73	70	70	67	73	73	79	79	85
40	1.5	88	94	94	94	94	86	86	86	95	95	98	98	117
50	2.0	98	109	109	109	109	99	99	105	111	111	143	143	146
65	2.5	118	129	129	129	129	111	111	124	130	130	165	165	168
80	3.0	134	144	144	144	144	130	130	137	149	149	168	174	197
100	4.0	154	164	164	170	170	162	162	175	181	193	206	209	235
125	5.0	184	194	194	196	196	194	194	197	216	241	247	254	279
150	6.0	209	220	200	226	226	219	214	222	251	266	289	282	317
200	8.0	264	275	275	286	293	276	273	279	308	320	359	352	387
250	10.0	319	330	331	343	355	336	336	339	352	400	435	435	476
300	12.0	375	380	386	403	420	387	384	409	422	457	498	520	549
350	14.0	425	440	446	460	477	448	448	451	486	492	521	578	-
400	16.0	475	491	498	517	549	499	499	514	540	565	575	641	-
450	18.0	-	541	558	567	574	562	562	549	597	613	638	705	-
500	20.0	580	596	620	627	631	619	619	606	654	683	699	758	-
600	24.0	681	698	737	734	747	730	730	718	775	791	838	902	-

Please note:

- The check valves above are not suitable for heavily pulsating flow such as can be experienced to reciprocating pumps or compressors
- If the wafer check valve you require is not shown or if you have a special design requirement, please contact us on +44 (0) 1505 681777 or [sales@abacusvalves.com](mailto:sales@abacusvalves.com)

Abacus Valves International Ltd  
 Block 4, Riverside Road,  
 Paddockholm Ind. Est.,  
 Kilbirnie. KA25 7EW  
 t: +44(0)1505 681777  
[www.abacusvalves.com](http://www.abacusvalves.com)  
[sales@abacusvalves.com](mailto:sales@abacusvalves.com)

**Notes:**

- **Wafer pattern design offers significant space and weight reduction compared with traditional flanged valve design.**
- **Superior by design**
- **24 hour quotation turn around**
- **Comprehensive stocks**
- **Worldwide distribution**
- **Technical assistance and advice always available**